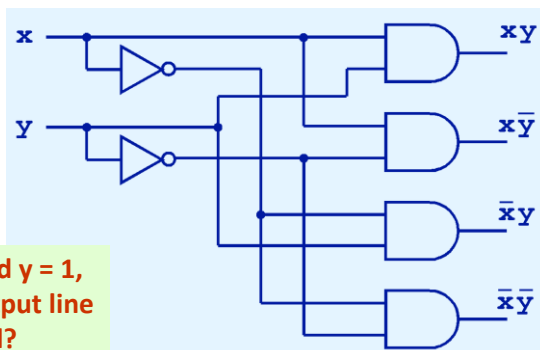


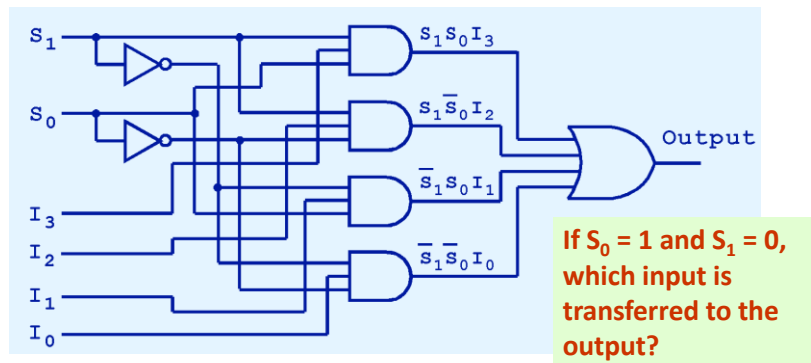
Puzzles from Null & Lobur  
Chapter 3 powerpoint slides

(1) 2-to-4 decoder



If  $x = 0$  and  $y = 1$ ,  
which output line  
is enabled?

## (2) 4-to-1 multiplexer



## (3) bit shifter

